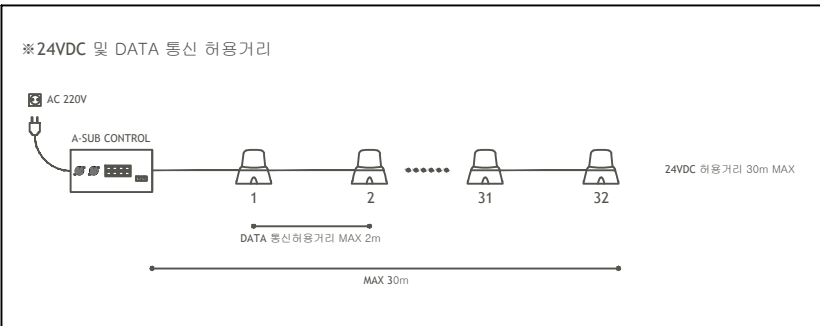
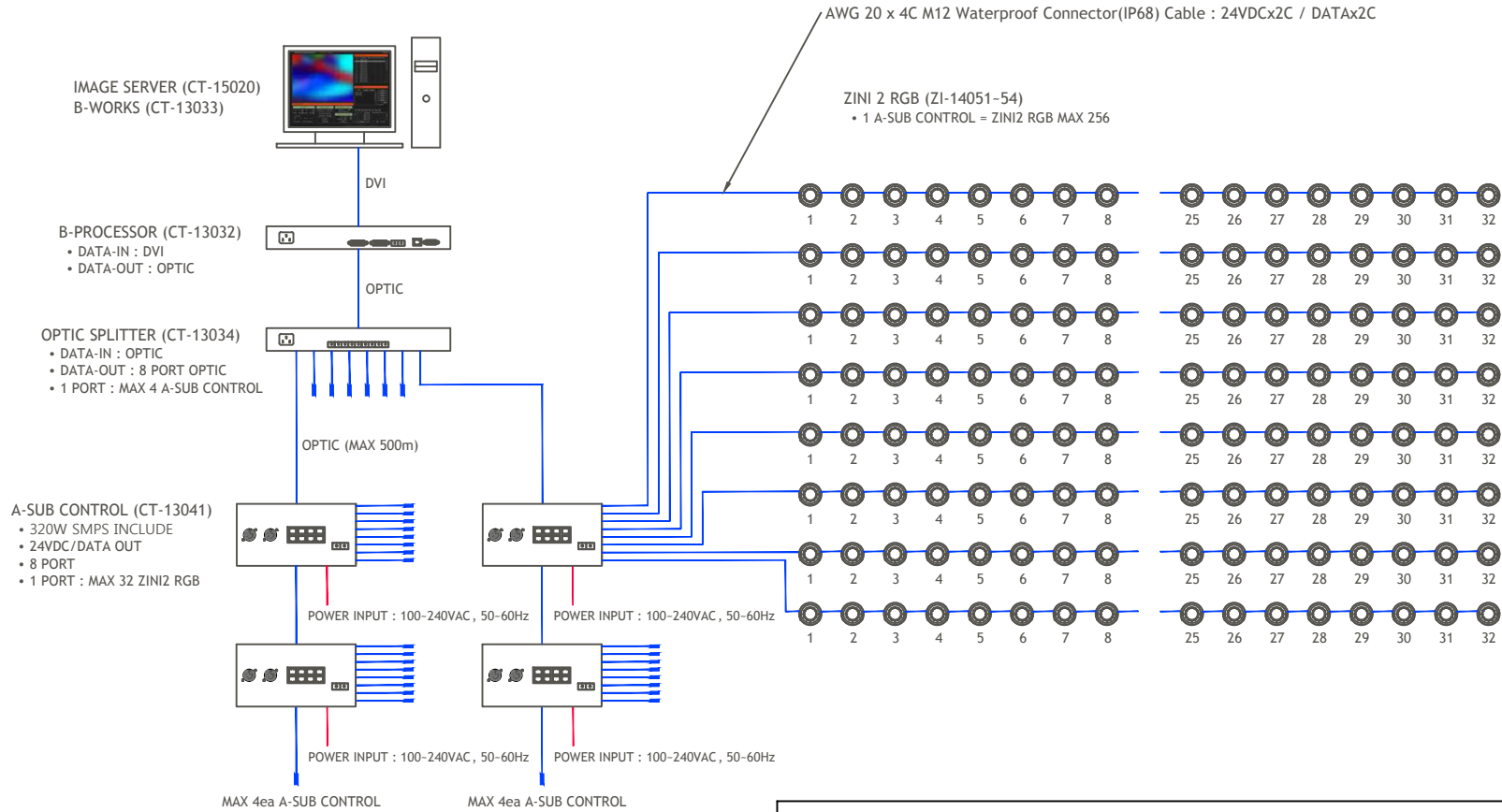


# IMAGE-LED Lighting System

## ZINI2 RGB (ZI-14051~54)

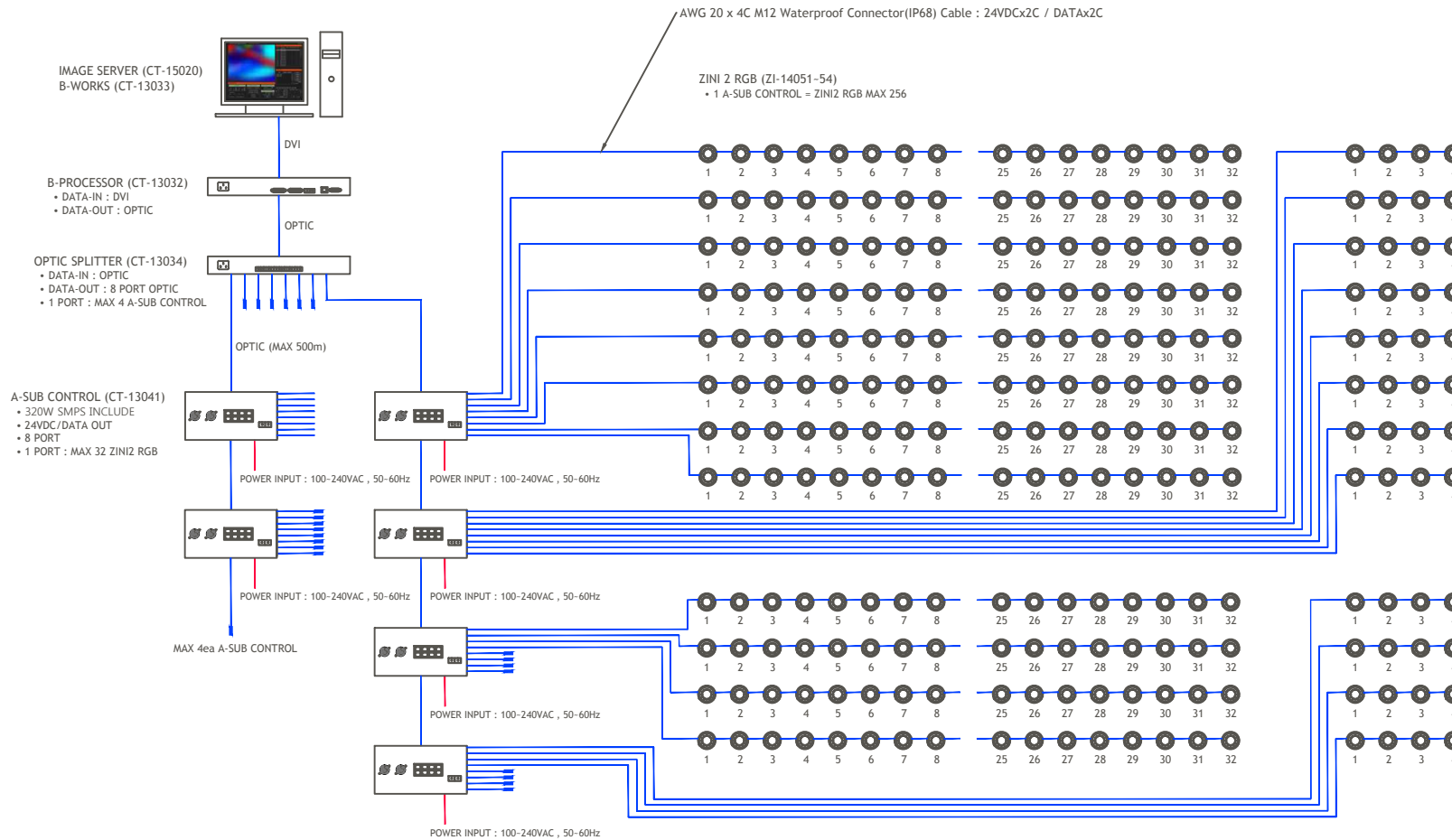


|                                 |
|---------------------------------|
| PROJECT NAME                    |
| TITLE NAME                      |
| <b>ZINI2 RGB WIRING DIAGRAM</b> |
| REVISIONS                       |
| DATE 1. _____                   |
| DATE 2. _____                   |
| DATE 3. _____                   |
| APPROVED BY                     |
| CHECKED BY                      |
| DRAWING BY                      |
| MEMO                            |
| SCALE                           |
| A3 : 1/10                       |
| DRAWING NO.                     |
| DATE                            |
| 2010. 4                         |
| SHEET NO.                       |

# IMAGE-LED Lighting System

## ZINI2 RGB (ZI-14051~54)

※ Example – ZINI2 RGB 432set<Width 36, Height 12>



|                                 |
|---------------------------------|
| PROJECT NAME                    |
| TITLE NAME                      |
| <b>ZINI2 RGB WIRING DIAGRAM</b> |
| REVISIONS                       |
| DATE 1. _____                   |
| DATE 2. _____                   |
| DATE 3. _____                   |
| APPROVED BY                     |
| CHECKED BY                      |
| DRAWING BY                      |
| MEMO                            |
| SCALE                           |
| A3 : 1/10                       |
| DRAWING NO.                     |
| DATE                            |
| 2010. 4                         |
| SHEET NO.                       |